

INDOOR APPARATUS INSULATORS

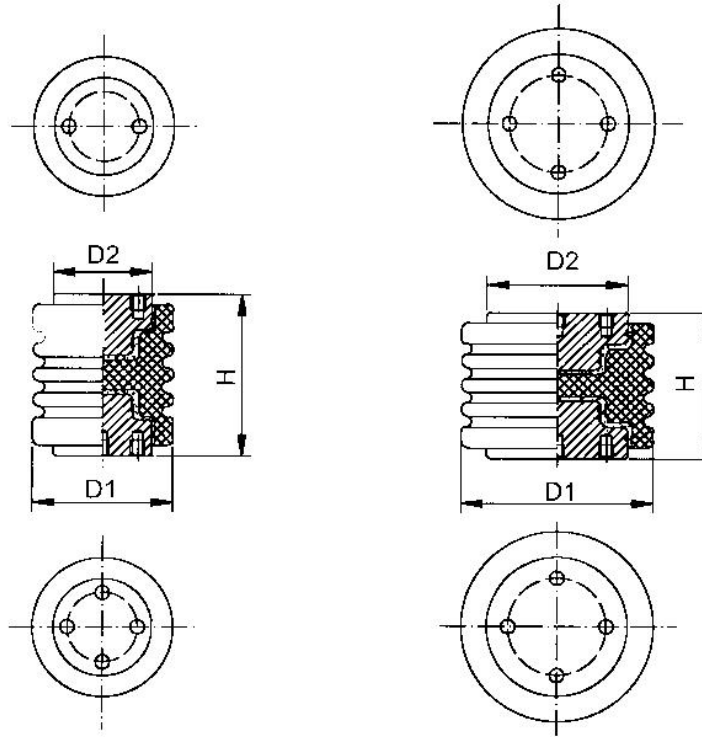


Fig 1

Fig 2

STANDARD PARTICULARS

Type	Volt Level kv	Fig No	Withstand Volt. KV			Canti-lever Strength kN	Torsional Strength N-M	Tensile Strength kN	Compression strength kN	Main Dimensions mm		
			Impulse	1Min Low frequency (dry)	Low frequency Dew(10s)					H	D1	D2
A-20-1	4.8	1	60	19	15	4.4	282.4	8.9	89	88.9	114.3	76.2
A-20-2	7.2	1	75	26	24	6.7	395.4	13.3	89	114.3	114.3	76.2
A-20-3	13.2	1	95	36	26	5.6	395.4	13.3	89	152.4	114.3	76.2
A-20-4	14.4	1	110	500	30	4.4	395.4	13.3	89	190.5	114.3	76.2
A-30-1	4.8	2	60	19	15	8.9	508.4	15.6	133.4	88.9	152.4	108
A-30-2	7.2	2	75	26	24	13.3	677.9	22.2	133.4	114.3	152.4	108
A-30-3	13.2	2	95	36	26	11.2	677.9	22.2	133.4	152.4	152.4	108
A-30-4	14.4	2	110	50	30	8.9	677.9	22.2	133.4	190.5	152.4	108
A-30-5	23.0	2	125/550	60	40	6.7	677.9	22.2	133.4	266.7	152.4	108
A-30-6	34.5	2	150/200	80	---	5.6	677.9	22.2	133.4	381	152.4	708
Applicable Standard:						ANSI						
Colour:						Brown, Light Gray or to Drawings						